



## FOBA M1000

### *Compact workstation for high quality low volume parts marking applications*

FOBA M1000 is a laser marking workstation for the economic processing of small work pieces and low volume series. The laser class 1 workstation comes with a programmable Z axis, a small work table and a manual lift door. Additionally, FOBA's M1000 features illumination, an integrated camera and an exhaust connection as a standard. The compact tabletop machine is ready for integration of FOBA fiber laser markers with 10- to 30-Watt laser power.

The manually loaded general-purpose workstation is perfect for laser marking small parts and series not only in the automotive, tools and metal industries but also in mechanical engineering, medical technology and plastic processing industries.

### Your product benefits

- **Compact construction**
- **Programmable Z axis:** 300 mm travel path
- **Economic workstation:** small footprint, optimal accessibility, efficient and air-cooled laser systems
- **Valuable features:** with illumination, integrated camera and exhaust connection as a standard



*Day/night design switch:  
laquer removal  
Metal screw: black marking on  
stainless steel*



## FOBA M1000

### Technical Data

**Model** Desktop laser marking workstation with motorized Z axis

#### Available Laser Systems

**Fiber laser markers** Y.0100, Y.0200, Y.0300, Y.0301

#### Workstation

**Processing area** 420x320 mm  
**Max. load** Up to 20 kg  
**Max. work piece size** 420x320x250 mm (WxDxH)  
**Manual lifting door** Max. doorway 430 mm  
**User interfaces** Laser marking software FOBA MarkUS™  
**Axis** Programmable Z axis  
 → Travel 300 mm  
 → Travel speed 15 mm/s  
**Footprint** 0,45 m²  
**Weight** → Machine housing\* approx. 45 kg  
 → Marking unit approx. 5 kg  
 → Supply unit approx. 20 kg  
**Safety class** Laser class 1 (acc. to DIN EN 60825-1)  
**IP rating** → Machine housing IP43  
 → Supply unit IP21

**Supply** → Depends on workspace and utilized laser system

**Electrical requirements** L/N/PE 100–240 VAC, 50/60 Hz

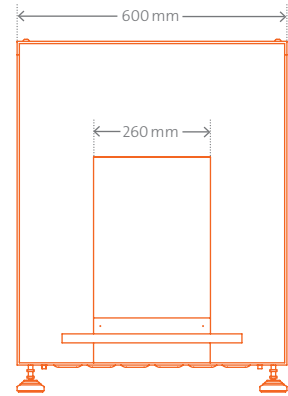
**Power consumption** Depends on utilized laser system  
 Y.0100, Y.0200, Y.0300, Y.0301: 400 VA

**Temperature** 5–35 °C

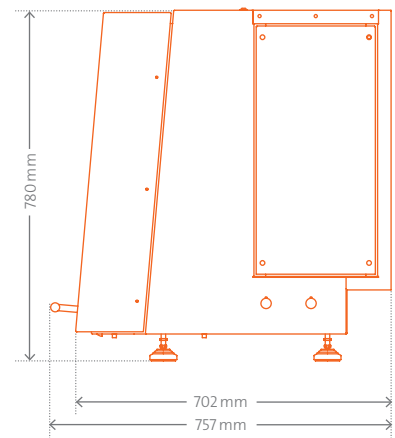
**Humidity** 10–90%, non-condensing

**Options and Accessories**  
 → Exhaust systems  
 → Other axes on request  
 → Rotation axis  
 → Laser pointer

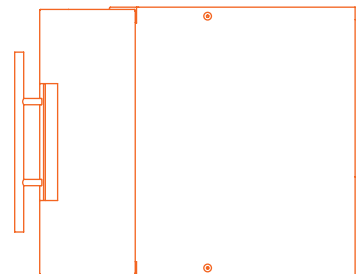
\* Without laser and external components



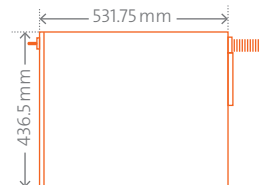
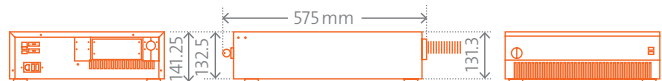
Front view



Side view



Top view



Supply unit

ALLTEC GmbH  
 Altenaer Straße 170 a  
 58513 Lüdenscheid | Germany  
 T +49 2351 996-0  
 F +49 2351 996-234  
 info@fobalaser.com | www.fobalaser.com

Your local agency:

