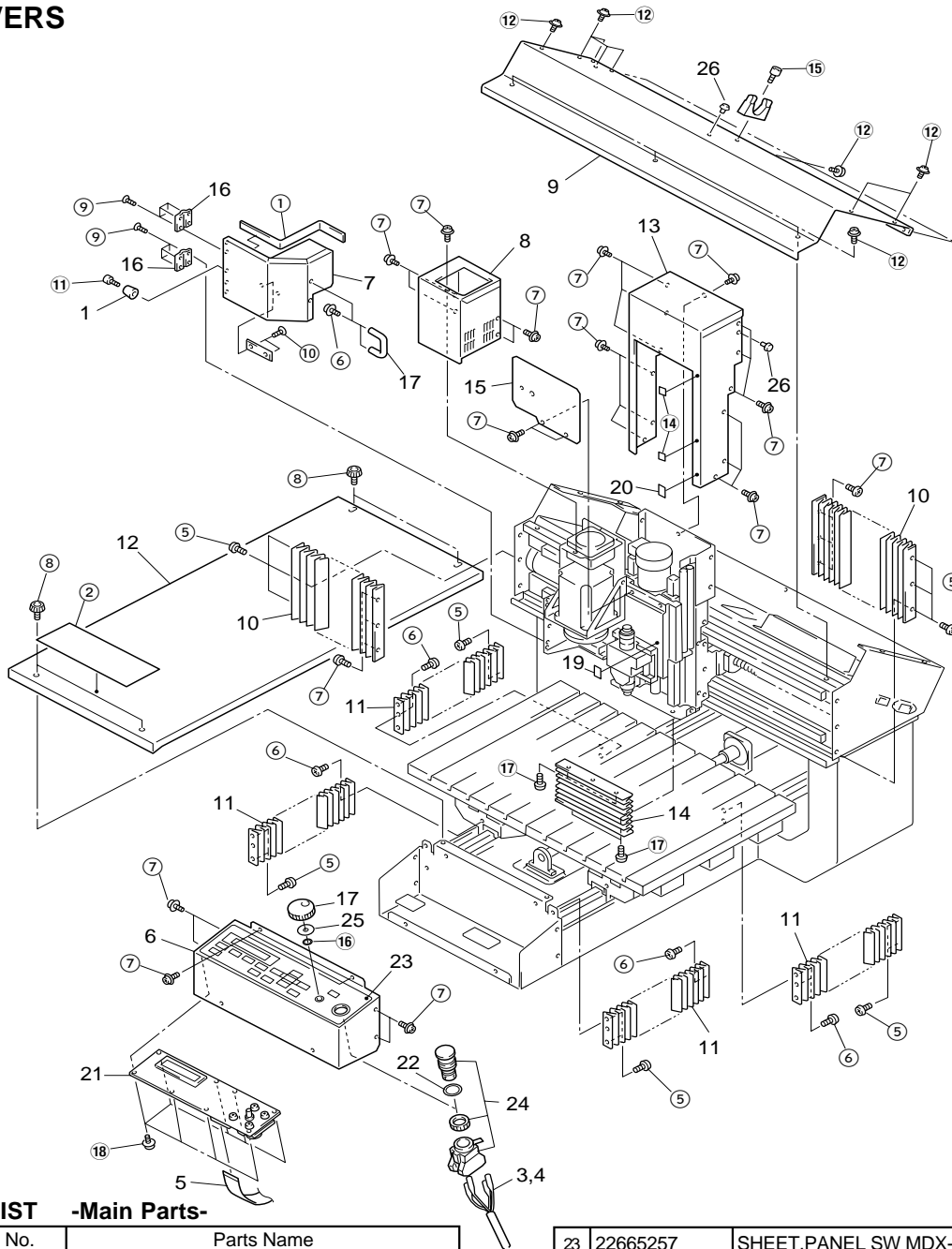


1 Structure & Spare Parts

1-1 COVERS



1

PARTS LIST -Main Parts-

	Parts No.	Parts Name
1	11879107	ABSORBER TK-12
2	11909147	ADAPTER ACB28
3	23505668	CABLE-ASSY JUNBI 2 MDX-500
4	23505669	CABLE-ASSY JUNBI 3 MDX-500
5	23475125	CABLE-CARD 25P 150L BB HIGH-V
6	22025425	COVER,PANEL MDX-500
7	22025415	COVER,SPINDLE MDX-500
8	22025414	COVER,SPINDLE MOTOR MDX-500
9	22025423	COVER,TOP MDX-500
10	22035533	COVER,X(BELLOWS) MDX-500
11	22035534	COVER,Y(BELLOWS) MDX-500
12	22025420	COVER,Z MDX-500
13	22025418	COVER,Z MDX-500
14	22035535	COVER,Z(BELLOWS) MDX-500
15	22025417	COVER,Z-SLIDE MDX-500
16	12329115	HINGE,MFH-20(B) 6KG
17	22475110	KNOB,L MCG MDX-500
18	12479103	KNOB,UGF-50
19	22535213	LABEL,CAUTION TOOL MDX-15 #LA58
20	22535244	LABEL,CAUTIONPINCH MDX-500#LA111
21	7504655000	PANEL BOARD ASSY MDX-500
22	11519106	RING HW9Z-RL

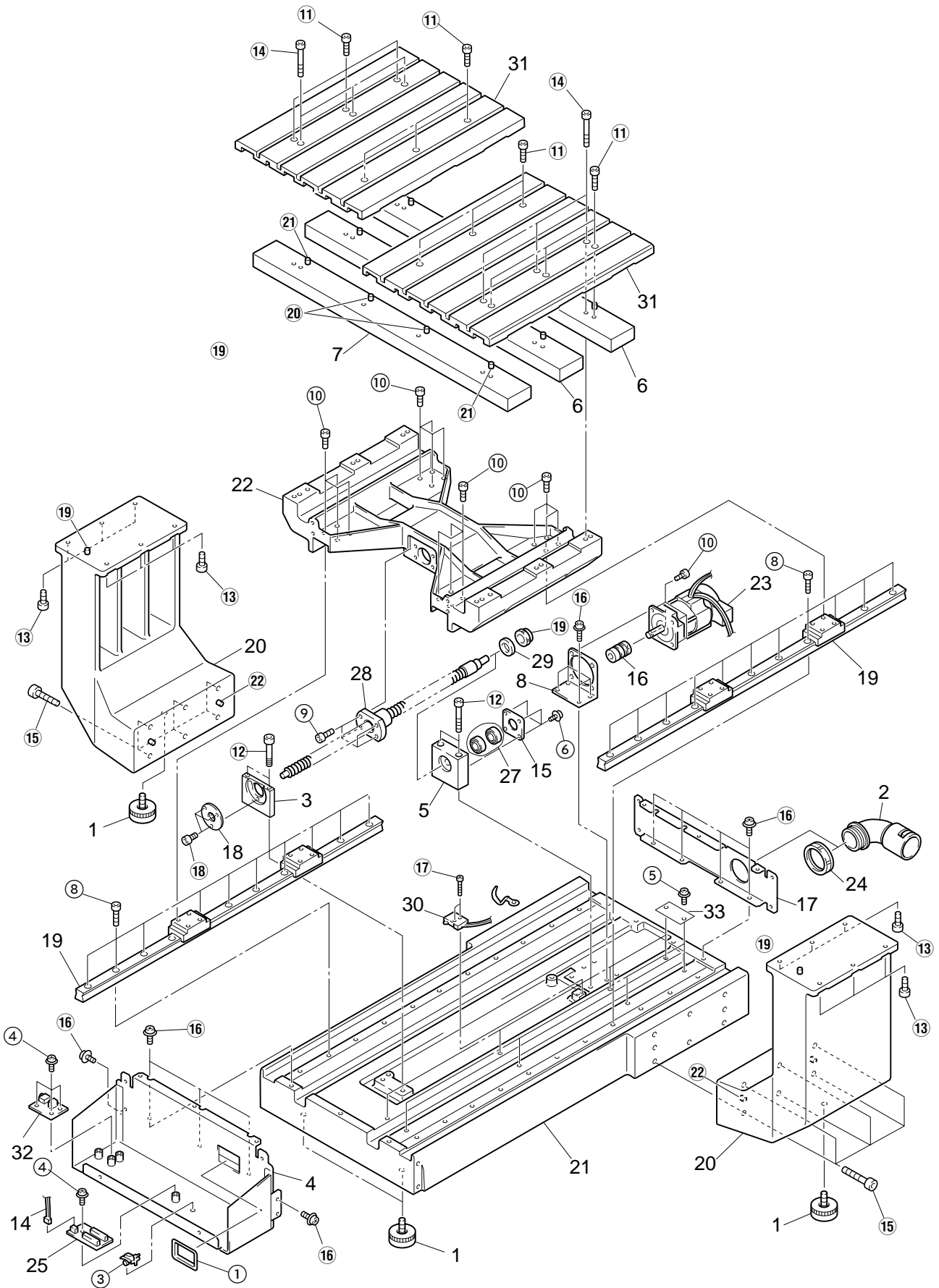
23	22665257	SHEET,PANEL SW MDX-500
24	13129111	SW HW1B-V302R HW-G01
25	22255217	SHIELD, JOG MDX-500
26	12239406	CUSHION,TM-96-6

PARTS LIST -Supplemental Parts-

	Parts Name	
①	CUSHION MDX-500	10x225
②	LABEL,CAUTION NO AIR GUN	No.473
⑤	SCREW,BINDING HEAD	M4x4BC
⑥	SCREW,BINDING HEAD	M4x8BC
⑦	SCREW,DOUBLE-SEMS	M3x8 BC
⑧	SCREW,FE PLAPOINT	4x6BK
⑨	SCREW,FLAT HEAD	M2x6BC
⑩	SCREW,FLAT HEAD	M3x6BC
⑪	SCREW,HEXAGON SOCKET HEAD CAP	M3x6 BC
⑫	SCREW,HEXAGON SOCKET HEAD CAP	M3x8 BC
⑬	SCREW,HEXAGON SOCKET HEAD CAP	M6x12 BC
⑭	LABEL,POSITION Z	No.863
⑮	SCREW,BINDING HEAD	M6x8BC
⑯	WASHER,PLAIN	6x13x1BC
⑰	SCREW,HEXAGON SOCKET HEAD CAP	M4x4BC
⑱	SCREW,DOUBLE-SEMS	M3x6 BC

1-2 FRAME

1



PARTS LIST -Main Parts-

	Parts No.	Parts Name
1	11879119	ABSORBER,A800-40L
2	11909148	ADAPTER,AL34PG29C90BL
3	22355715	BASE,HOUSING MDX-500
4	22355714	BASE,PANEL MDX-500
5	22355706	BASE,SUPPORT MDX-500
6	22355707	BASE,T-SLOT MDX-500
7	22355708	BASE,T-SLOT(PIN) MDX-500
8	22355709	BASE,XY MOTOR MDX-500
10	23505649	CABLE-ASSY PANEL MDX-500
11	23505654	CABLE-ASSY Y LIMIT MDX-500
12	23505652	CABLE-ASSY YE MDX-500
13	23505656	CABLE-ASSY YM MDX-500
14	23505657	CABLE-ASSY Z0 MDX-500
15	22335130	CAP,SUPPORT MDX-500
16	11739106	COUPLING,SFC-010WD 8B-8B
17	22025419	COVER,REAR MDX-500
18	22805357	HOUSING,SUPPORT MDX-500
19	21895129	L-BEARING HSR15R2SS+640L-2
20	7504614000	MDX-500 ARM ASSY
21	7504613000	MDX-500 FRAME ASSY
22	7504615000	MDX-500 SLIDER,Y ASSY
23	22435421	MOTOR,X.Y MDX-500
24	11579119	NUT,GMP-GL29BL
25	7504651030	PANEL JUNC BOARD ASS'Y MDX-500
27	11889113	R-BEARING 7200DF(B18)
28	21495127	SCREW,Y-AXIS MDX-500
29	22165192	SPACER,SUPPORT MDX-500
30	23165121	SW,ABJ29065
31	21965124	TABLE,T-SLOT MDX-500
32	7364707000	ZO BOARD ASSY
33	22135370	STOPPER,CABLE MDX-500

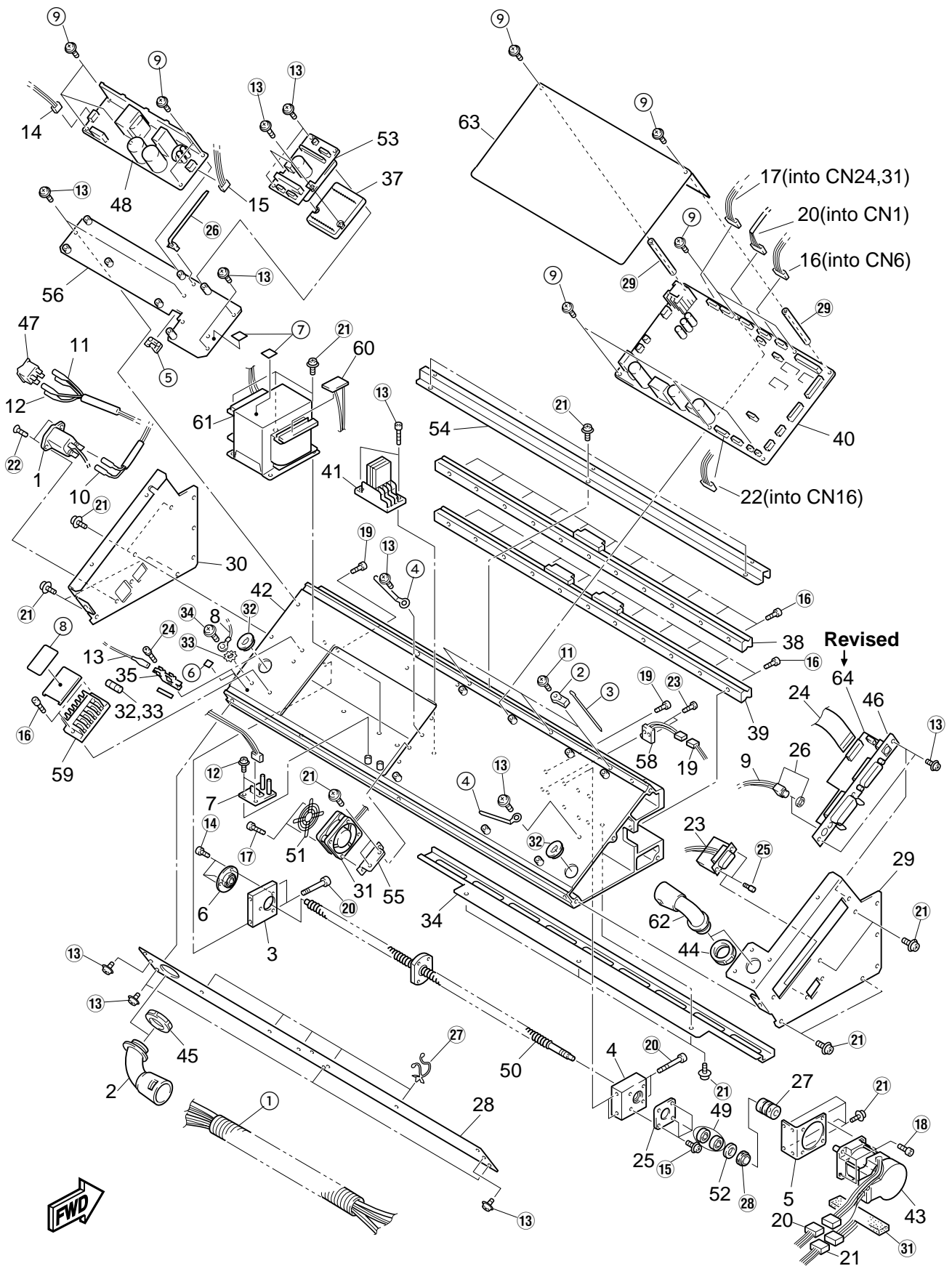
PARTS LIST -Supplemental Parts-

	Parts Name	
①	BUSH,SQUARE	SB-4025
②	CLIP,COATING	CS-6
③	PCB SUPPORT UBMC15.5M-01	
④	SCREW,DOUBLE-SEMS	M3x6BC
⑤	SCREW,DOUBLE-SEMS	M3x8BC
⑥	SCREW,HEXAGON SOCKET HEAD CAP	M3x8 BC
⑦	SCREW,HEXAGON SOCKET HEAD CAP	M4x12 BC
⑧	SCREW,HEXAGON SOCKET HEAD CAP	M4x15 BC
⑨	SCREW,HEXAGON SOCKET HEAD CAP	M4x20 BC
⑩	SCREW,HEXAGON SOCKET HEAD CAP	M4x8 BC
⑪	SCREW,HEXAGON SOCKET HEAD CAP	M5x20 BC
⑫	SCREW,HEXAGON SOCKET HEAD CAP	M5x55 BC
⑬	SCREW,HEXAGON SOCKET HEAD CAP	M6x20 BC
⑭	SCREW,HEXAGON SOCKET HEAD CAP	M6x50 BC
⑮	SCREW,HEXAGON SOCKET HEAD CAP	M8x40 BC
⑯	SCREW,HEXAGON SOCKET HEAD CAP WITH PLANE WASHER	M4x12 BC
⑰	SCREW,PAN HEAD	M2.3x10BC
⑱	SCREW,HEXAGON SOCKET HEAD CAP	M3x6 BC
⑲	FINE U-NUT	FUOQSS
⑳	PARALLEL PIN, H7	A6x15
㉑	PARALLEL PIN, H7	A6x40SUS
㉒	PARALLEL PIN, H7	A8x20SUS

1

1-3 CHASSIS

1



PARTS LIST -Main Parts-

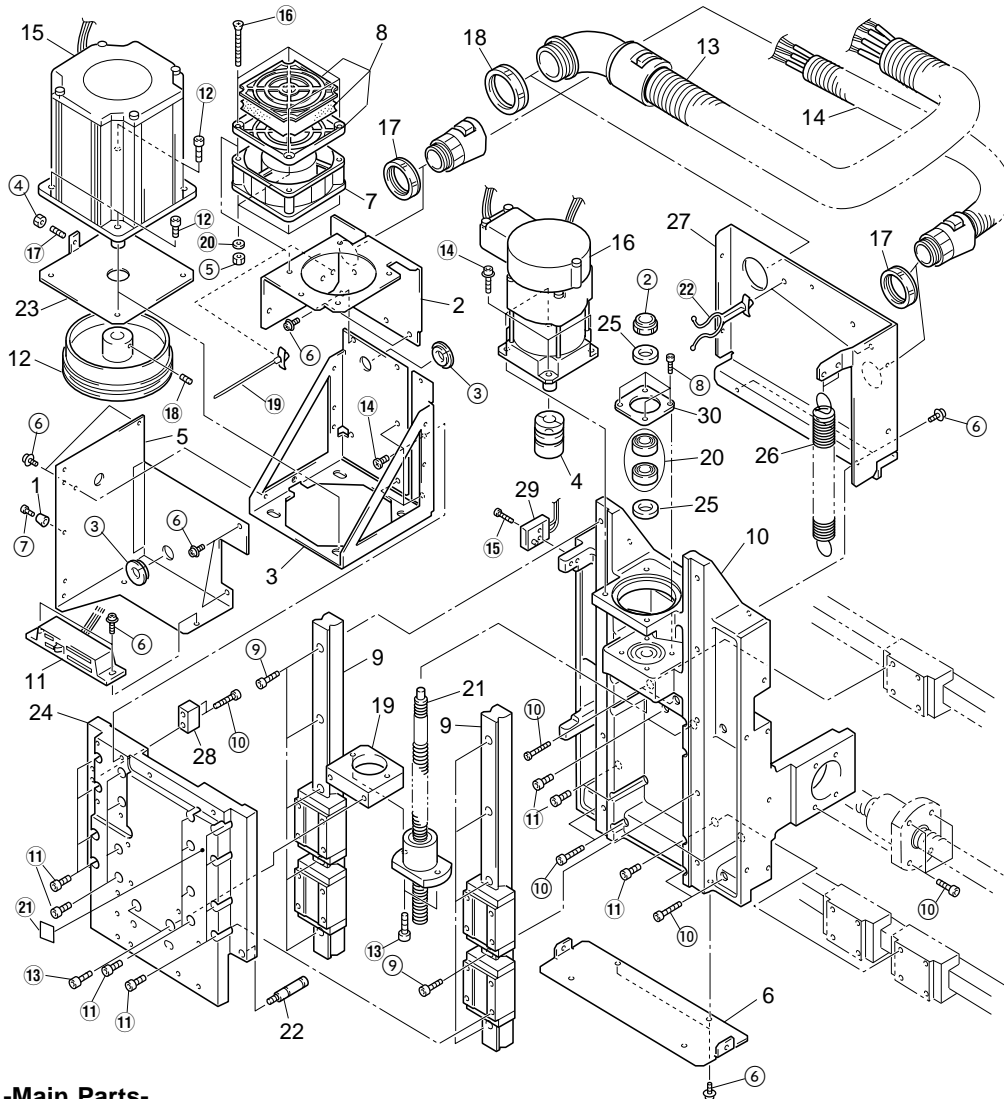
	Parts No.	Parts Name
1	13429701	AC INLET SUP-J15G-E
2	11909148	ADAPTER,AL34PG29C90BL
3	22355715	BASE,HOUSING MDX-500
4	22355706	BASE,SUPPORT MDX-500
5	22355709	BASE,XY MOTOR MDX-500
6	22805357	HOUSING,SUPPORT MDX-500
7	7504651050	BRAKE BOARD ASSY MDX-500
8	23505676	CABLE-ASSY GND MDX-500
9	23505661	CABLE-ASSY JACK MDX-500
10	23505667	CABLE-ASSY JUNBI 1 MDX-500
11	23505670	CABLE-ASSY JUNBI 4 MDX-500
12	23505671	CABLE-ASSY JUNBI 5 MDX-500
13	23505672	CABLE-ASSY JUNBI 6 MDX-500
14	23505673	CABLE-ASSY JUNBI 7 MDX-500
15	23505660	CABLE-ASSY MAIN MDX-500
16	23505664	CABLE-ASSY SPLINE MDX-500
17	23505647	CABLE-ASSY SPZE MDX-500
19	23505655	CABLE-ASSY X LIMIT MDX-500
20	23505653	CABLE-ASSY XE MDX-500
21	23505658	CABLE-ASSY XM MDX-500
22	23505665	CABLE-ASSY ZSENS MDX-500
23	23505677	CABLE-ASSY TANGENTIAL HEAD
24	23475125	CABLE-CARD 25P 150L BB HIGH-V
25	22335130	CAP,SUPPORT MDX-500
26	13439854	CONNECTOR S-G8022#01
27	11739106	COUPLING,SFC-010WD 8B-8B
28	22025429	COVER,RAIL MDX-500
29	22025421	COVER,SIDE(L) MDX-500
30	22025422	COVER,SIDE(R) MDX-500
31	12439518	FAN
32	12559574	FUSE 5X20 CEE-5AT WICKMANN (220-240V)
33	12559103	FUSE,ULTSC N1 10A/125V (100V,117V)
34	22135586	GUIDE,X-BELLOWS MDX-500
35	12189835	HOLDER-FUSE BM-SS-I-14
37	15259101	IC,PS11013
38	21895128	L-BEARING HSR15R1SSE+580L-2
39	21895127	L-BEARING HSR15R2SSE+700L-2
40	7504651010	MAIN BOARD ASS'Y MDX-500
41	7504652000	MDX-500 BRAKE ASSY
42	7504610000	MDX-500 RAIL,X-AXIS ASSY
43	22435421	MOTOR,X.Y MDX-500
44	11579117	NUT GMP-GL21BL
45	11579119	NUT,GMP-GL29BL
46	22055416	PLATE,INTERFACE MDX-500
47	13129101	POWER SW AJ8200B
48	12429110U0	POWER UNIT,ZWS120PPF-24
49	11889113	R-BEARING 7200DF(B18)
50	21495126	SCREW,X-AXIS MDX-500
51	12259216	SHIELD 109-139E
52	22165192	SPACER,SUPPORT MDX-500
53	7504651020	SPINDLE BOARD ASS'Y MDX-500
54	22715222	STAY,COVER TOP MDX-500
55	22715223	STAY,FAN MOTOR MDX-500
56	22715224	STAY,SP BOARD MDX-500
57	22135370	STOPPER,CABLE MDX-500
58	23165121	SW,ABJ29065
59	12729101	TERMINAL-BLOCK,BTBH15LC6P
60	7504651040	TRANS BOARD ASS'Y MDX-500
61	22455115U0	TRANSFORMER MDX-500
62	7504657000	MDX-500 XFLEX ASSY
63	22025370	COVER,MAIN BOARD
64	7504651060	I/F BOARD ASSY MDX-500

PARTS LIST -Supplemental Parts-

	Parts Name	
①	ADAPLALOK PACS34BL	380MM
②	BINDER BASE SKM-1	
③	BINDER T-18S	
④	CLIP,COATING	CS-6
⑤	EDGE HOLDER	EH-14U
⑥	LABEL,EARTH MARK-1	E580
⑦	LABEL,FLASHLIGHTING	No.582
⑧	LABEL,FUSE CAUTION	No.347
⑨	SCREW,BINDING HEAD	M3x6BC
⑩	SCREW,BINDING HEAD	M4x8BC
⑪	SCREW,DOUBLE-SEMS	M3x10BC
⑫	SCREW,DOUBLE-SEMS	M3x6BC
⑬	SCREW,DOUBLE-SEMS	M3x8BC
⑭	SCREW,HEXAGON SOCKET HEAD CAP	M3x6BC
⑮	SCREW,HEXAGON SOCKET HEAD CAP	M3x8BC
⑯	SCREW,HEXAGON SOCKET HEAD CAP	M4x15BC
⑰	SCREW,HEXAGON SOCKET HEAD CAP	M4x30BC
⑱	SCREW,HEXAGON SOCKET HEAD CAP	M4x8BC
⑲	SCREW,HEXAGON SOCKET HEAD CAP	M5x12BC
⑳	SCREW,HEXAGON SOCKET HEAD CAP	M5x55BC
㉑	SCREW,HEXAGON SOCKET HEAD CAP WITH PLANE WASHER	M4x12BC
㉒	SCREW,OVAL HEAD	M3x8BC
㉓	SCREW,PAN HEAD	M2.3x10BC
㉔	SCREW,SEMS	M3x10C
㉕	SCREW,STOPPER	D20418-2
㉖	TYE,PUSHMOUNT RT30SSF5	
㉗	CLAMP,SKLO-550-01	
㉘	FINE U-NUT	FUOOSS
㉙	SPACER,45mm	SQ-45
㉚	CUSHION,COVER CABLE	
㉛	GROMET	NG-79-S
㉜	WASHER,OUT SIDE TEETH	M4C
㉝	SCREW,BINDING HEAD	M4x8C

← Revised

1-4 SPINDLE



PARTS LIST -Main Parts-

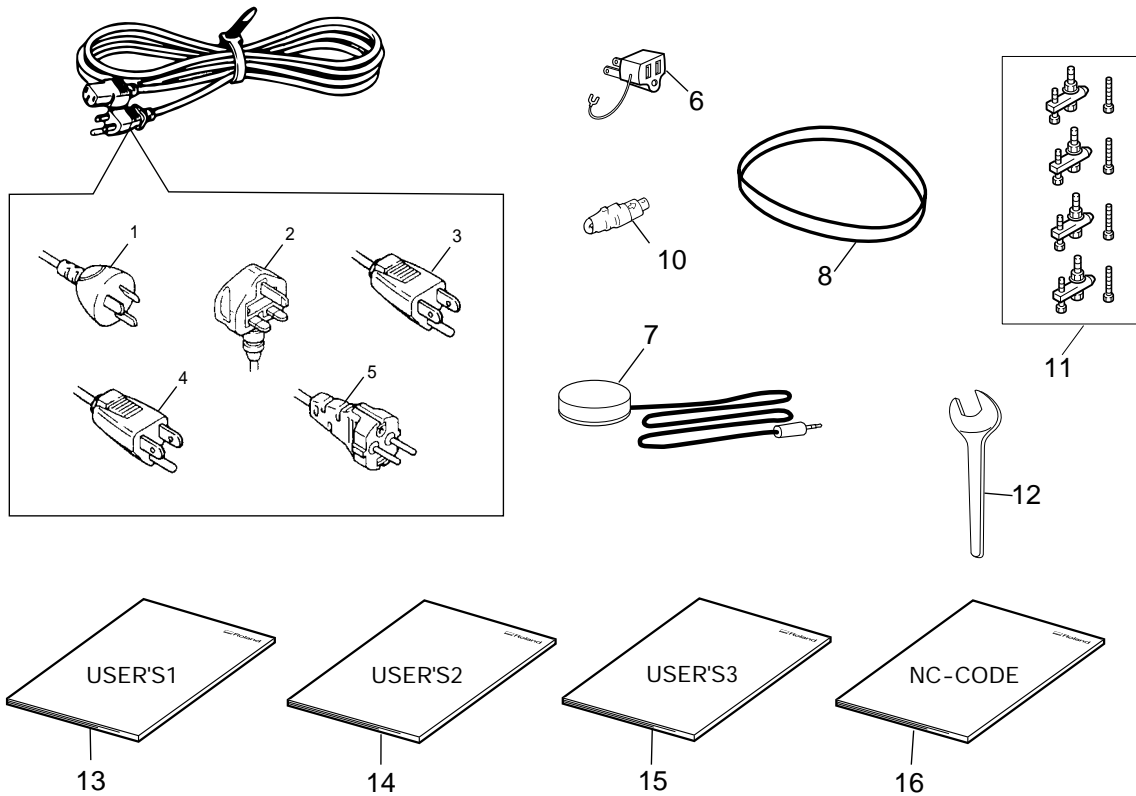
	Parts No.	Parts Name
1	11879107	ABSORBER TK-12
2	22355711	BASE,SPINDLE FAN MOTOR MDX-500
3	22355710	BASE,SPINDLE MOTOR MDX-500
4	11739106	COUPLING,SFC-010WD 8B-8B
5	22025413	COVER,MOTOR PULLEY MDX-500
6	22025416	COVER,Z(BOTTOM) MDX-500
7	12439518	FAN 109P0624H405
8	12279110	FILTER 9250-F145
9	21895130	L-BEARING HSR15R2SS+280L-2
10	7504611000	MDX-500 BASE,Z ASSY
11	7504654000	MDX-500 MAGNET CATCH ASSY
12	7504612000	MDX-500 PULLEY(M)ASSY
13	7504657000	MDX-500 XFLEX ASSY
14	7504658000	MDX-500 ZFLEX ASSY
15	22435419	MOTOR,SPINDLE MDX-500
16	22435420	MOTOR,Z MDX-500
17	11579118	NUT GMP-GL16BL
18	11579117	NUT GMP-GL21BL
19	22055417	PLATE,Z-SCREW MDX-500
20	11889113	R-BEARING 7200DF(B18)
21	21495128	SCREW,Z-AXIS MDX-500
22	22295205	SHAFT,Z SPRING MDX-500
23	22185110	SLIDER,SPINDLE MOTOR MDX-500
24	22185113	SLIDER,Z MDX-500
25	22165192	SPACER,SUPPORT MDX-500
26	22175208	SPRING,Z MDX-500
27	22715221	STAY,COVER Z MDX-500

28	22135366	STOPPER,Z-SLIDE MDX-500
29	23165121	SW,ABJ29065
30	22335130	CAP,SUPPORT MDX-500

PARTS LIST -Supplemental Parts-

	Parts Name	
①	CABLE TYE STL600-12-01	
②	FINE U-NUT	FUOOSS
③	GROMET	MG-26
④	NUT,HEXAGONAL	M3BC
⑤	NUT,HEXAGONAL	M4CM
⑥	SCREW,DOUBLE-SEMS	M3x8BC
⑦	SCREW,HEXAGON SOCKET HEAD CAP	M3x6BC
⑧	SCREW,HEXAGON SOCKET HEAD CAP	M3x8BC
⑨	SCREW,HEXAGON SOCKET HEAD CAP	M4x15BC
⑩	SCREW,HEXAGON SOCKET HEAD CAP	M4x20BC
⑪	SCREW,HEXAGON SOCKET HEAD CAP	M4x8BC
⑫	SCREW,HEXAGON SOCKET HEAD CAP	M5x12BC
⑬	SCREW,HEXAGON SOCKET HEAD CAP	M5x20BC
⑭	SCREW,HEXAGON SOCKET HEAD CAP WITH PLANE WASHER	M4x12BC
⑮	SCREW,PAN HEAD	M2.3x10BC
⑯	SCREW,PAN HEAD	M4x40BC
⑰	SCREW,SOCKET SET	M3x12BC
⑱	SCREW,SOCKET SET DOUBLE-POINT	M4x8BC
⑲	TYE,PUSHMOUNT RT30SSF5	
⑳	WASHER,PLANE	4x10x0.8
㉑	LABEL,POSITION Z	No.863
㉒	CLAMP,STL600-12-01	

1-5 ACCESSORIES



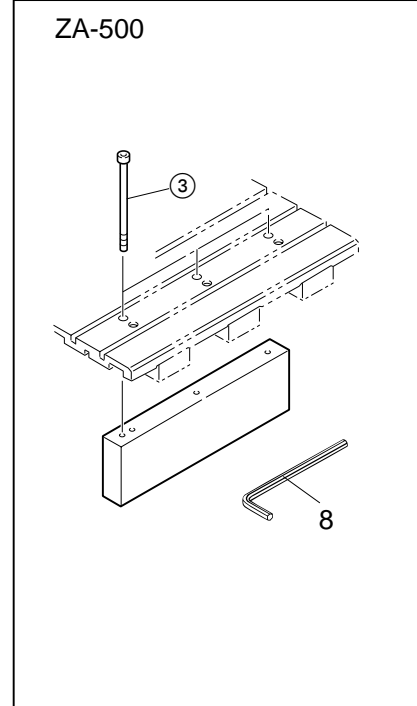
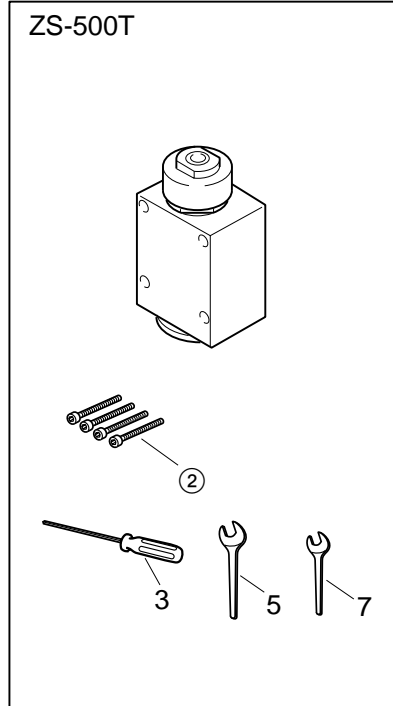
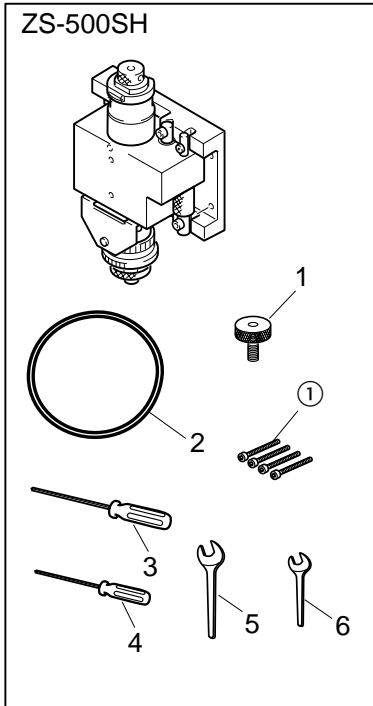
PARTS LIST -Main Parts-

	Parts No.	Parts Name
1	23495124	AC CORD 3ASL/100 240VA 10A SAA
2	13499111	AC CORD H05VV-F 240VE 10A S
3	13499109	AC CORD SJT 117V 10A 3PVC
4	13499230	AC CORD UC-301-J03 117V3P
5	23495125	AC-CORD H05VV 230V 10A S
6	13499209	ADAPTER PLUG (100V)
7	22805321	ASS'Y,ZOSENSOR PNC-3200
8	21925118	BELT,PSA-13CEBR/F10*335
9	13439801	CABLE-AC 3P CHINA 10A/250V S
10	23505678	CABLE-ASSY KEY MDX-500
11	22805360	ASS'Y,STOPPER,WORK MDX-500 (4p/set)
12	11939106	TOOL,SPANNER 10
13	26015260	MANUAL,USERS1 JP MDX-500
13	26015261	MANUAL,USERS1 EN MDX-500
14	26015262	MANUAL,USERS2 JP MDX-500
14	26015263	MANUAL,USERS2 EN MDX-500
15	26015264	MANUAL,USERS3 JP MDX-500
15	26015265	MANUAL,USERS3 EN MDX-500
16	26015266	MANUAL,NC CODE JP MDX-500
16	26015267	MANUAL,NC CODE EN MDX-500

1

1-6 OPTIONS

1



PARTS LIST -Main Parts-

	Parts No.	Parts Name
1	21655111	HOLDER,CUTTER 4.36 PNC-2300
2	11929119	BELT,BANKORAN MARU 4*285
3	11939138	TOOL,HEXAGONAL DRIVER 3
4	12569515	HEXAGONAL WRENCH
5	11939105	TOOL,SPANNER 24
6	11939106	TOOL,SPANNER 10
7	11939137	TOOL,SPANNER 13
8	22565682	HEXAGONAL WRENCH 5

PARTS LIST -Supplemental Parts-

	Parts Name
①	SCREW,HEXAGON SOCKET HEAD CAP M4x15BC
②	SCREW,HEXAGON SOCKET HEAD CAP M4x25BC
③	SCREW,HEXAGON SOCKET HEAD CAP M6x130BC